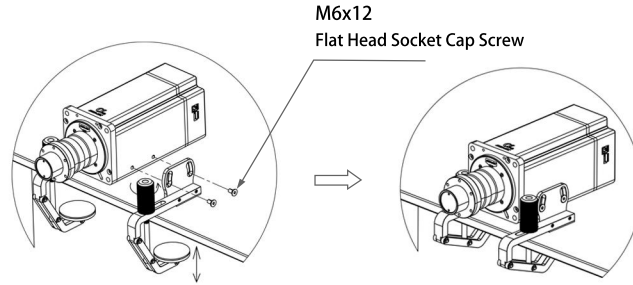
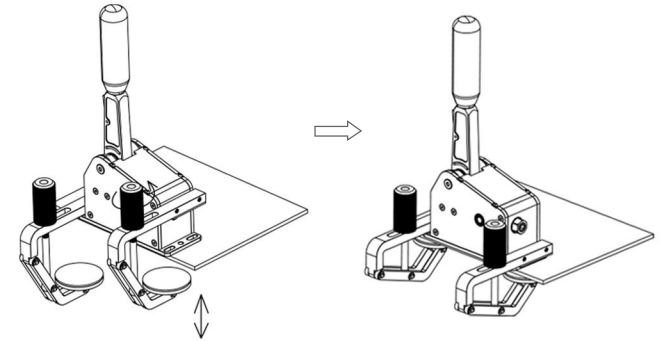


Install the P-DFT on a Wheelbase



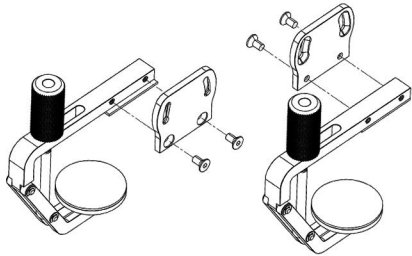
Install the P-DFT on a Sequential Shifter Q1S



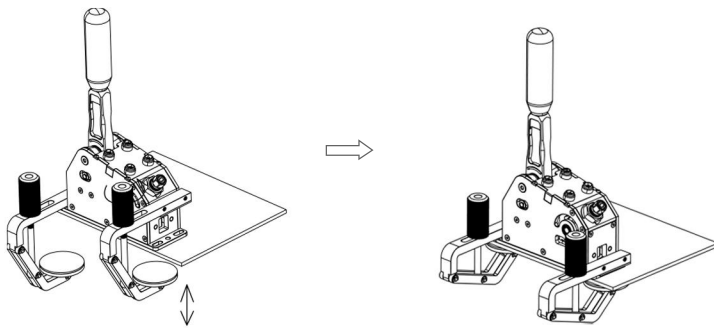
Flat Head Socket Cap Screw
(M6-12 X 4)



Multifunctional Desk Fixture X2



Install the P-DFT on a Sequential Shifter Q1



Install the P-DFT on a TB-1 Handbrake

